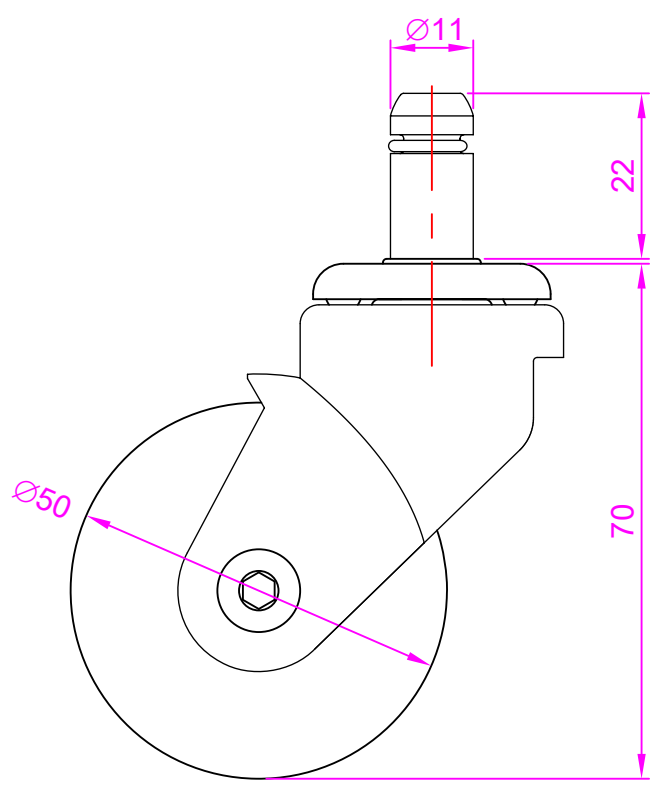
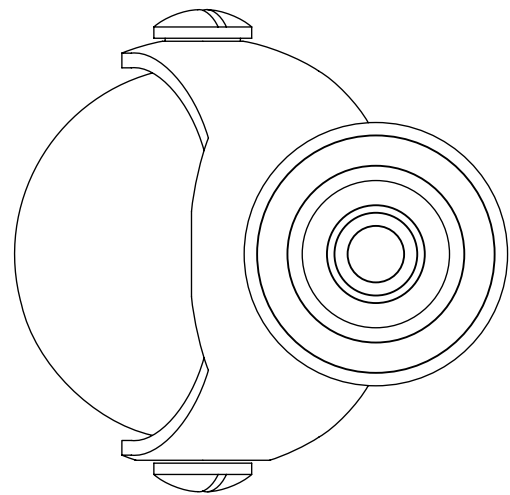


Overall Height: 2-3/4 in (70mm)
Wheel Material: Soft Polyurethane
Mounting Method: 11mm x 22mm Friction Ring Stem (fits most standard office chairs)
SAFE FOR HARDWOOD FLOORS

Brake: No
Load Rating: 88 lbs (40kgs) per caster



Item Number/Description #175-50-FR-NB-2" Ball Wheel Caster, Friction Ring Stem No Brake		
Date 06/11/08	Scale 1:1	