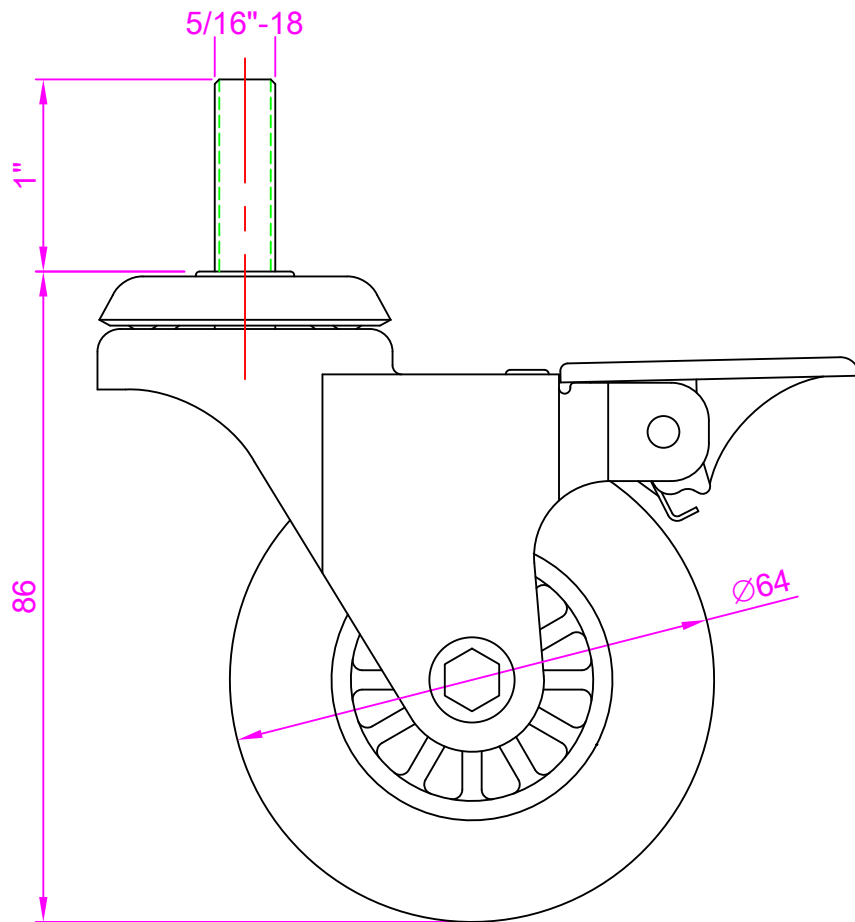
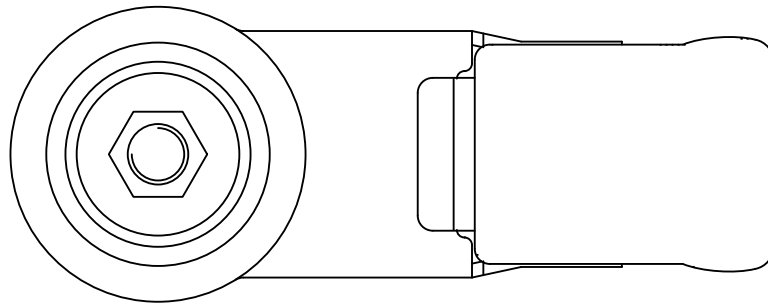


Diameter: 2-1/2 in. (64mm)
Overall Height: 3-3/8 in (85mm)
Mounting Method: 5/16"-18 x 1" Threaded Stem (supplied with metal sleeve nut)
Brake: Yes
Load Rating: 110 lbs (50 kgs) per caster



Item Number/Description	
#150-64-TS-WB-2-1/2"	
Solid Skate Wheel Caster, Threaded Stem With Brake	
Date	06/09/08
Scale	1:1

