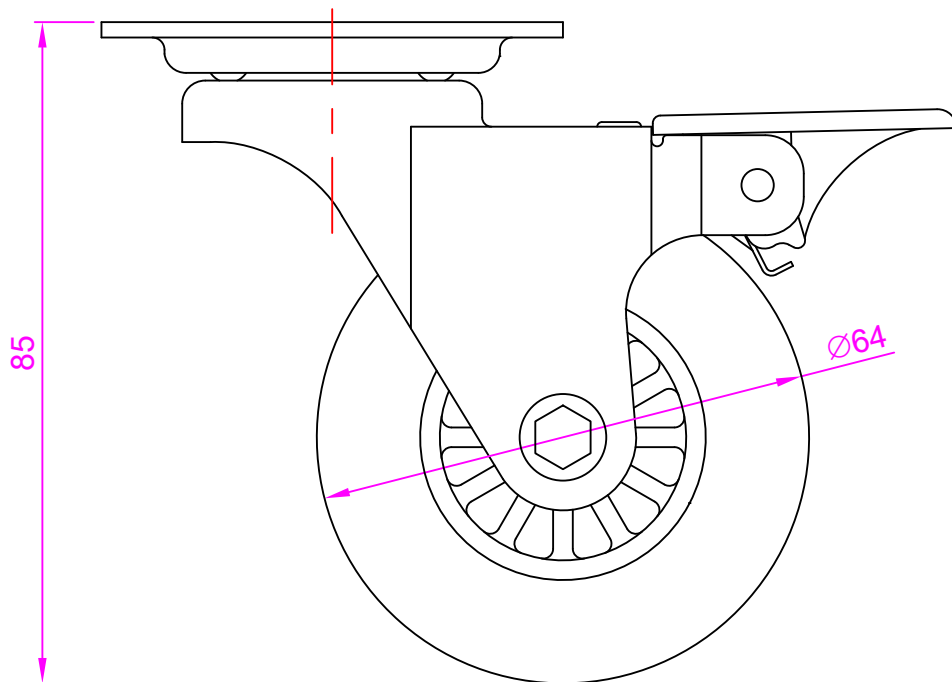
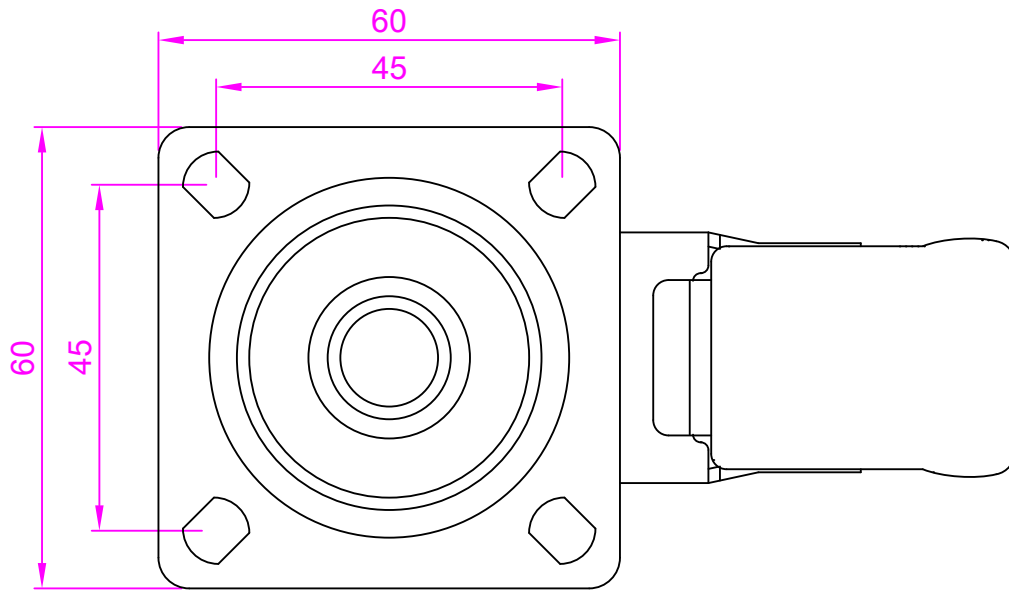


Diameter: 2-1/2 in. (64mm)
Overall Height: 3-3/8 in (85mm)
Mounting Method: Swivel Plate:2-3/8 in. x 2-3/8 in.
Brake: Yes
Load Rating: 110 lbs. (50 kgs.) per caster



Item Number/Description
#150-64-SP-WB-2-1/2"
Translucent Skate Wheel Caster, Swivel Plate With Brake

Date 06/09/08 Scale 1:1

