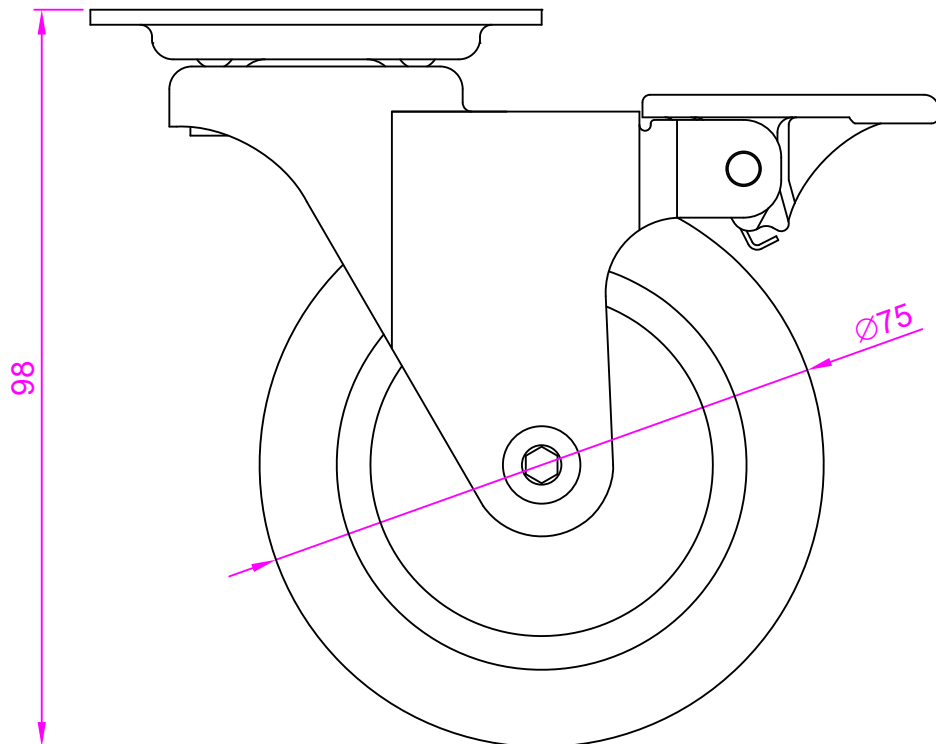
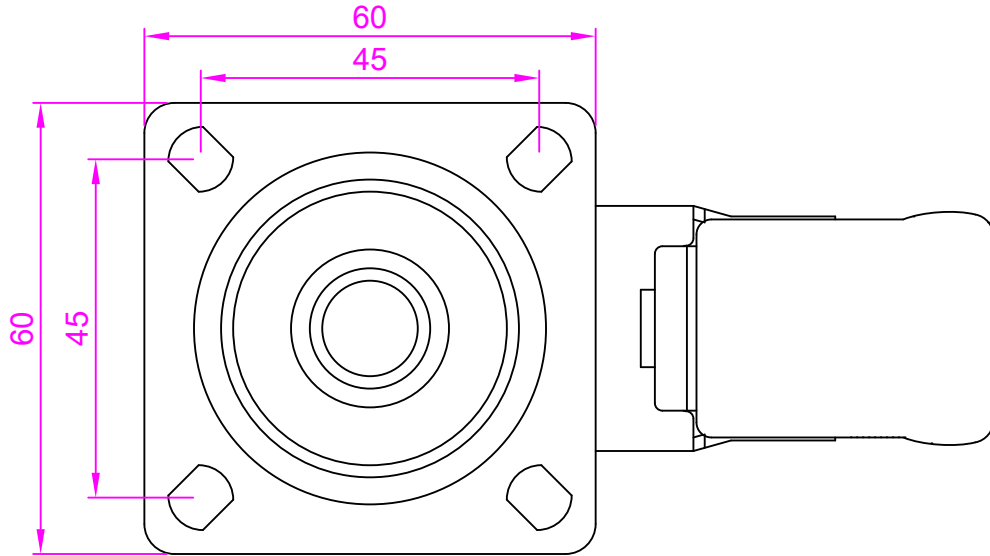


Wheel Diameter: 3 in. (75mm)  
Overall Height: 3-7/8 in. (98mm)  
Mounting Method: Swivel Plate: 2-3/8 in. x 2-3/8 in.  
Brake: Yes  
Load Rating: 110 lbs (50 kgs) per caster  
Wheel / Tread Material: Soft Polyurethane Tread (safe for hardwood floors)



Item Number/Description  
#500-75-SP-WB--3"  
Classic Caster, Swivel Plate, With Brake

Date 06/26/08      Scale 1:1

