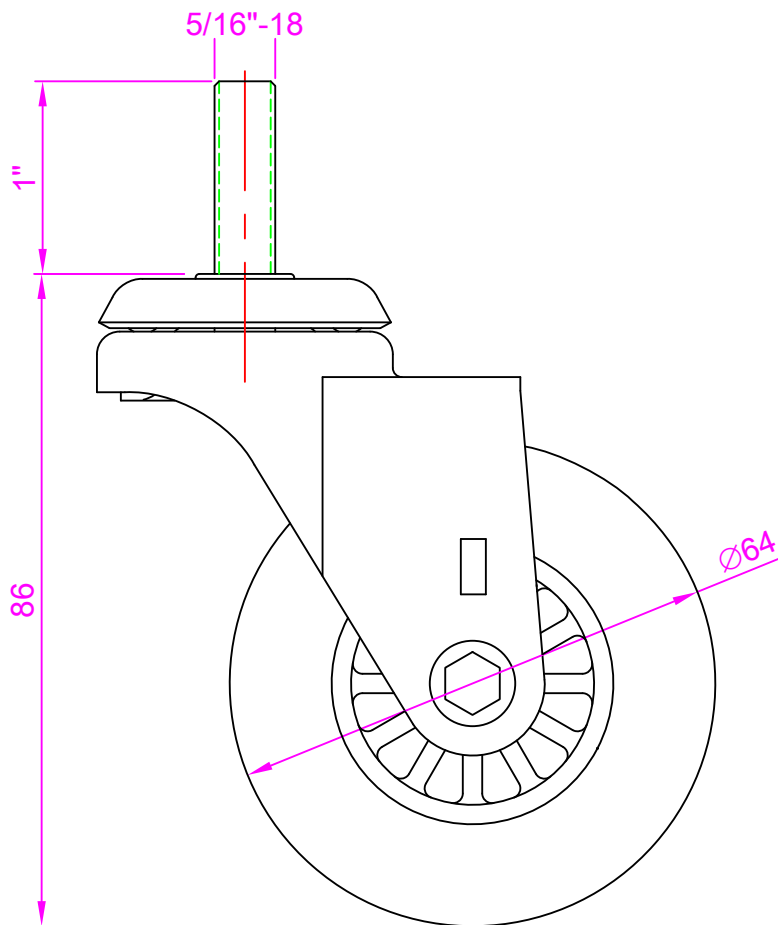
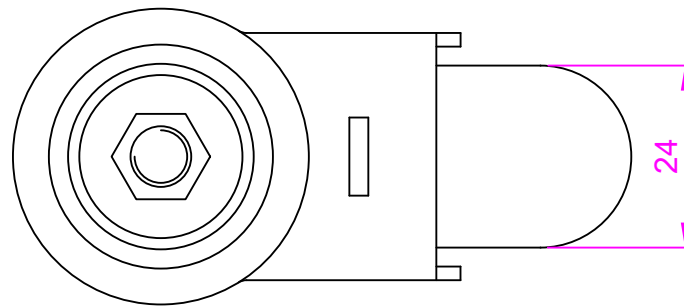


Diameter: 2-1/2 in. (64mm)
Overall Height: 3-3/8 in (85mm)
Mounting Method: 5/16"-18 x 1" Threaded Stem (supplied with metal sleeve nut)
Brake: No
Load Rating: 110 lbs (50 kgs) per caster



Item Number/Description #150-64-TS-NB-2-1/2" Solid Skate Wheel Caster, Threaded Stem No Brake	
Date 06/09/08	Scale 1:1

