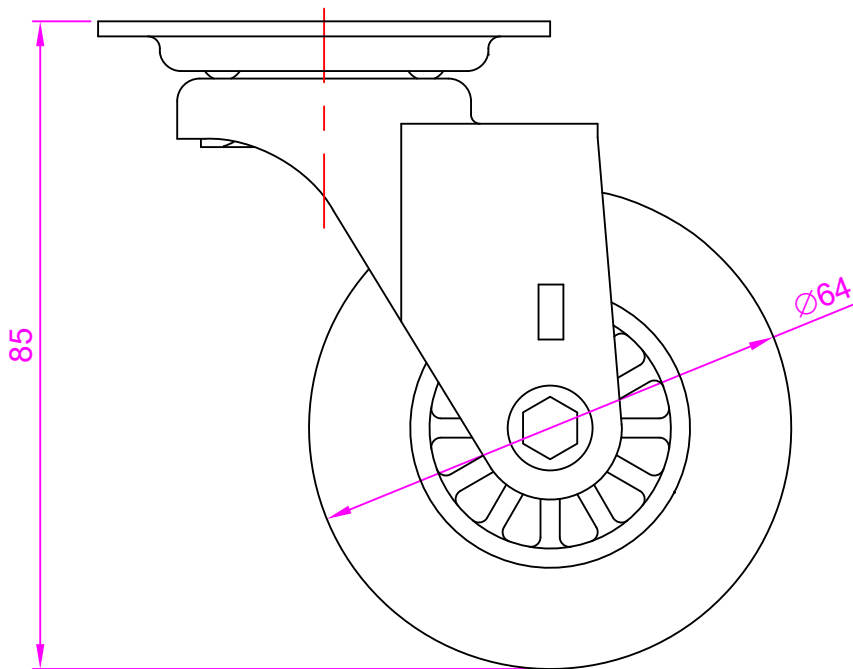
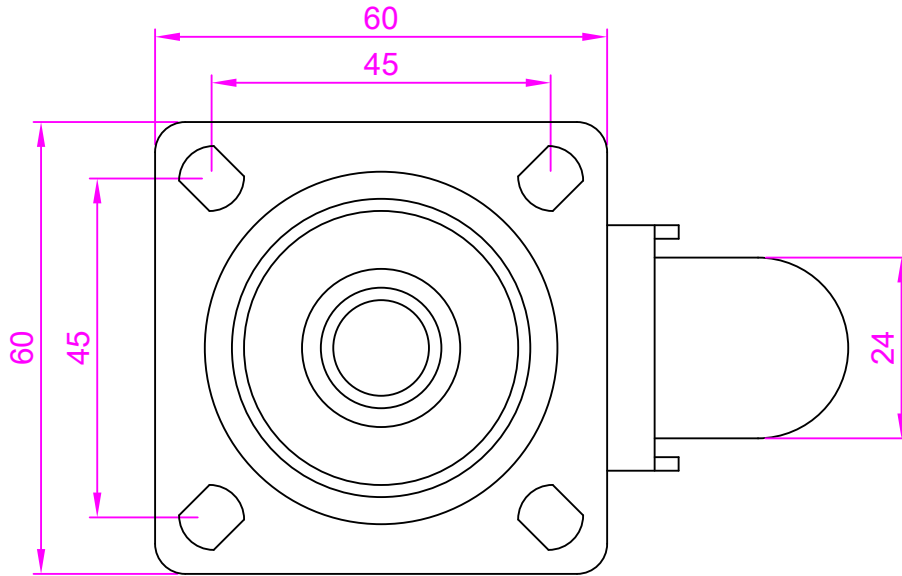


Diameter: 2-1/2 in. (64mm)
Overall Height: 3-3/8 in (85mm)
Mounting Method: Swivel Plate:2-3/8 in. x 2-3/8 in.
Brake: No
Load Rating: 110 lbs. (50 kgs.) per caster



Item Number/Description
#150-64-SP-NB-2-1/2"
Solid Skate Wheel Caster, Swivel Plate No Brake

Date 06/09/08

Scale 1:1

